

ADVANCE SHORING COMPANY

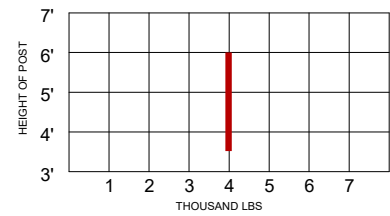
Quick Release Post-Shore

The Quick Release Post Shore is a single load carrying device with a built-in adjustment feature to facilitate handling without sacrificing convenience. It can be used by itself or in combination with a frame shoring system.

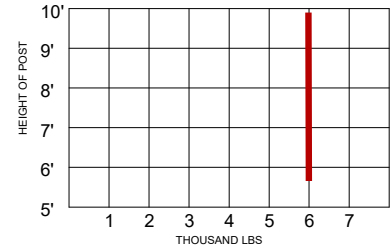
Safety factor of 3:1

Fitted with quick release stripping pin for easy assembly and dismantling

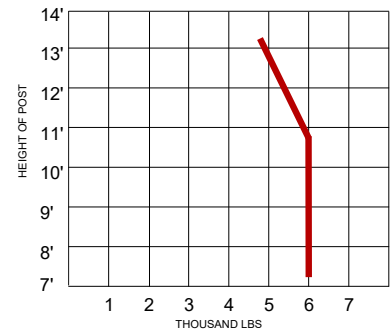
Post shores must be braced or restrained from lateral movement.



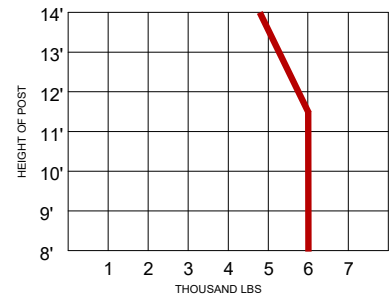
WORKING LOAD - 4/6 POST
3'-6" to 6'-0" HEIGHT RANGE



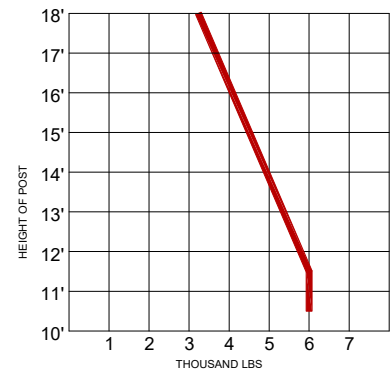
WORKING LOAD - 5/9 POST
5'-9" to 9'-10" HEIGHT RANGE



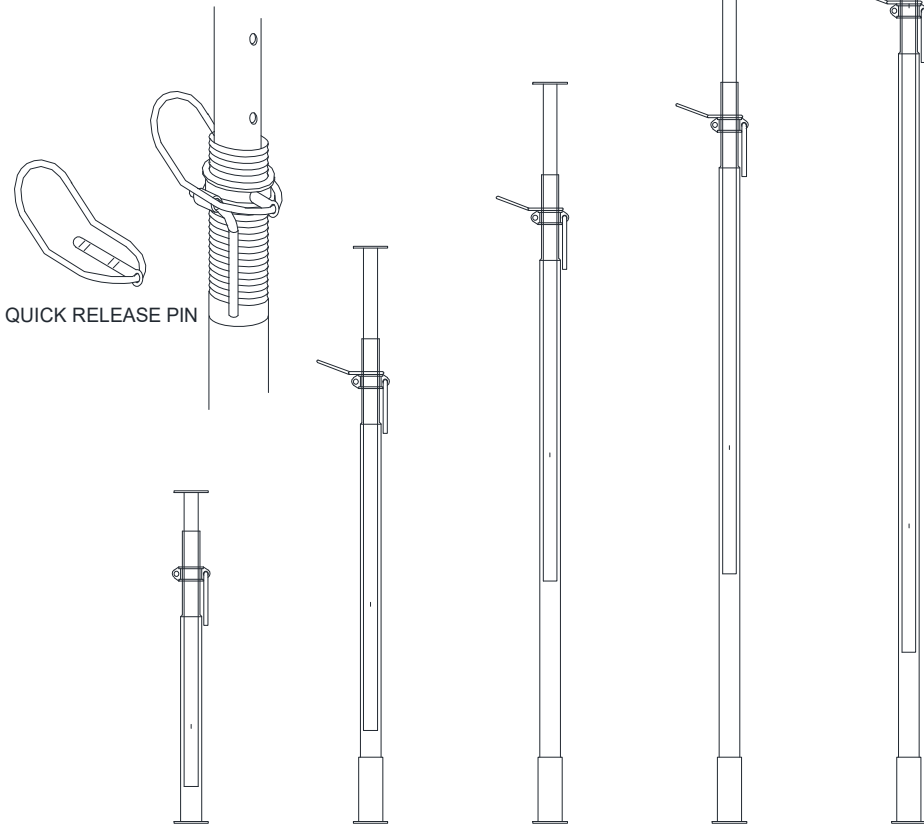
WORKING LOAD - 7/11 POST
7'-4" to 13'-3" HEIGHT RANGE



WORKING LOAD - 8/14 POST
7'-11" to 14'-0" HEIGHT RANGE



WORKING LOAD - 10/18 POST
10'-6" to 18'-0" HEIGHT RANGE



4/6 POST 5/9 POST 7/11 POST 8/14 POST 10/18 POST

	HEIGHT RANGE		WEIGHT LBS
	MIN	MAX	
4/6 POST	3'-6"	6'-0"	31
5/9 POST	5'-9"	9'-10"	47
7/11 POST	7'-4"	13'-3"	50
8/14 POST	7'-11"	14'-0"	54
10/18 POST	10'-6"	18'-0"	62