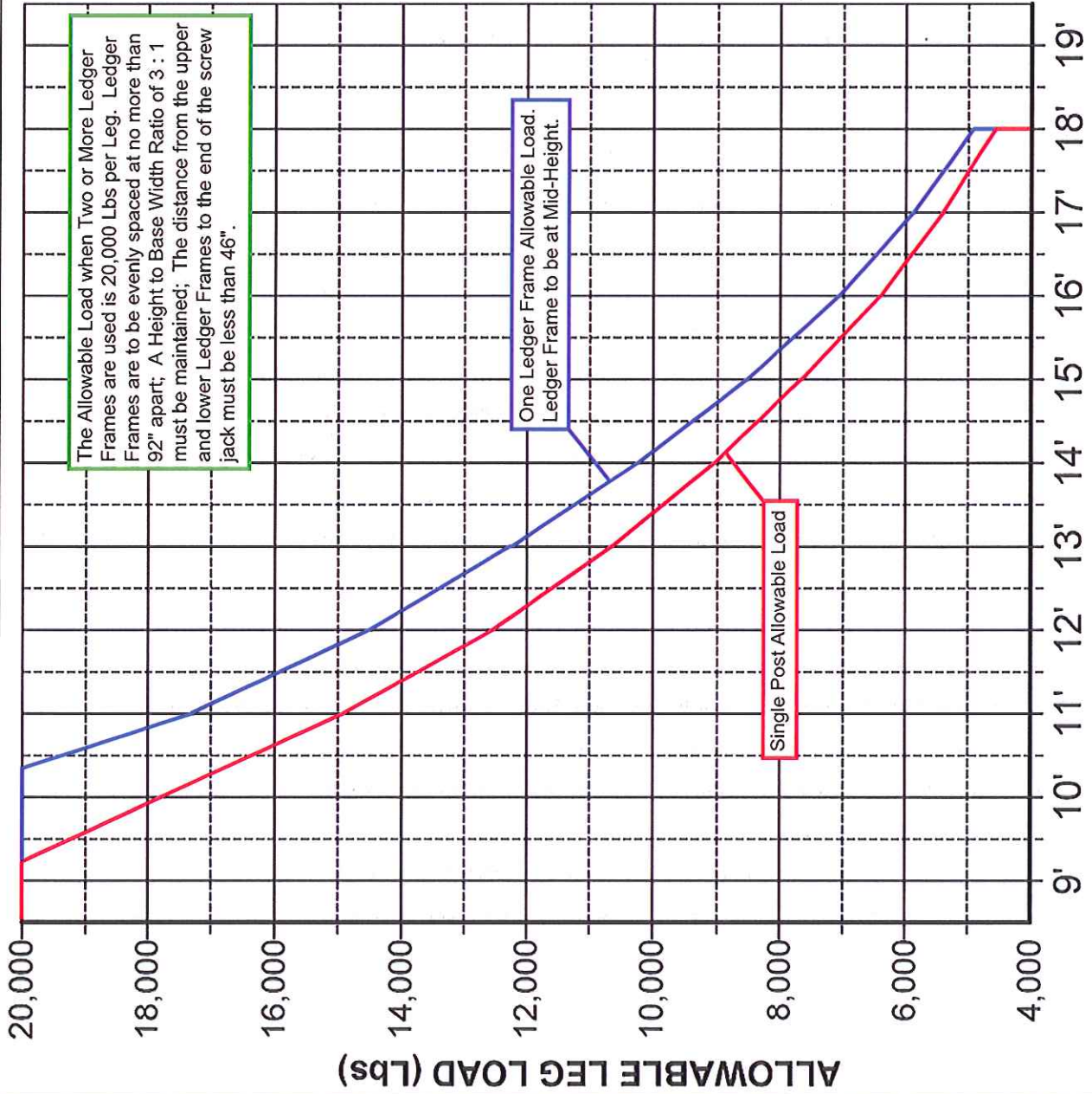


TITAN MEGASHORE LEG LOAD CHART



This chart must be used with the Titan Screw Jack Load Chart. The Screw Jack provides full load capacity for extensions up to 31".

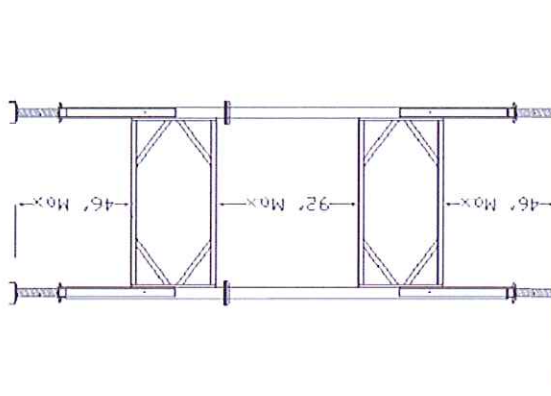
All legs must be braced in both directions when using ledger frames.

Shores must be plumb.

For ease of erectability, it is suggested to keep the ledger frame spacing at 78".

Consult safety rules as published by the Scaffold, Shoring and Forming Institute, and ACI 347-04, "Guide To Formwork For Concrete".

This chart is based on a 2 1/2 : 1 Safety Factor.

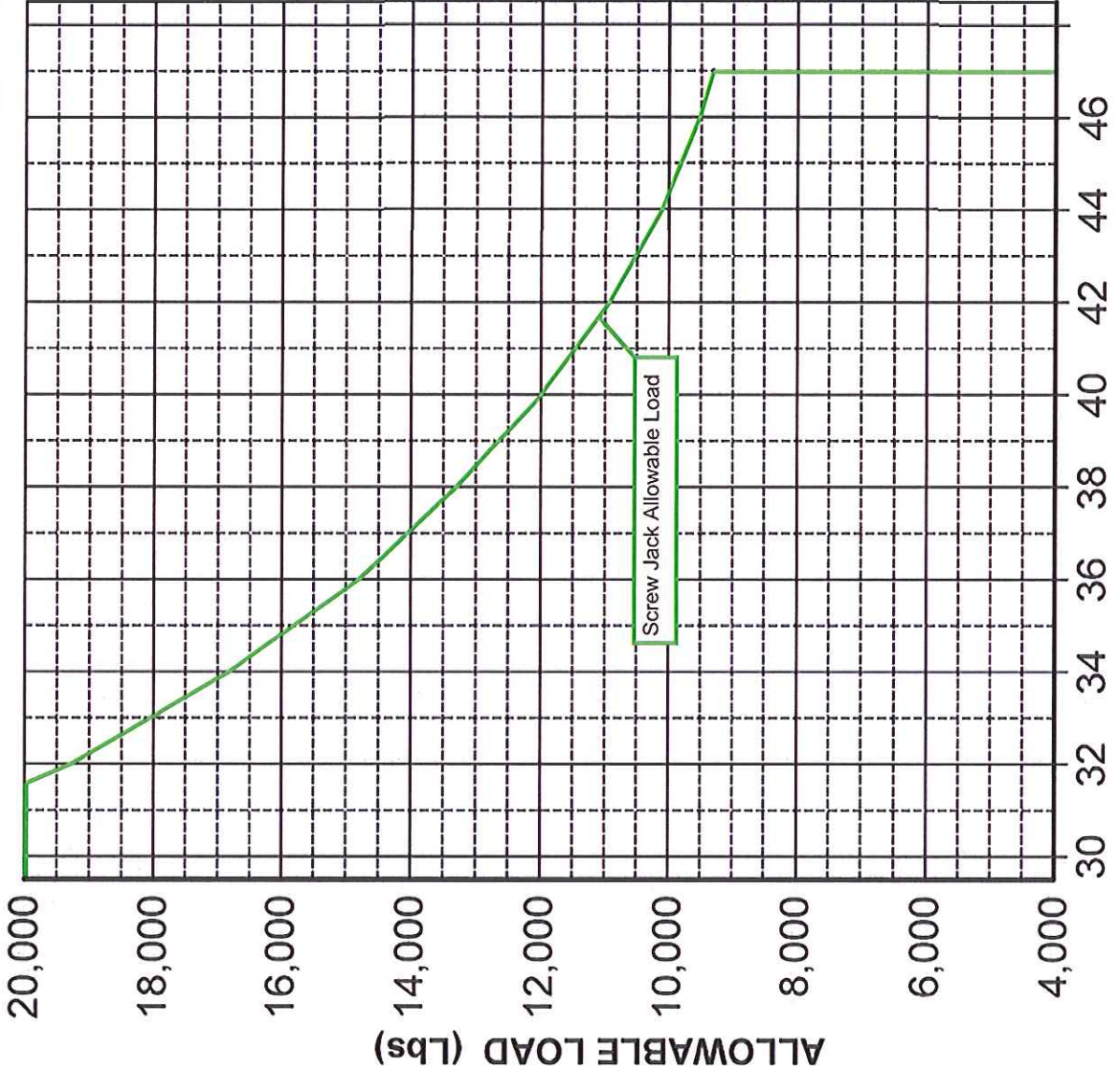


ADVANCE
SHORING COMPANY

SHORE HEIGHT (Feet)

1400 Jackson Street, Saint Paul, MN 55117 (651)489-8881

TITAN MEGASHORE SCREW JACK LOAD CHART

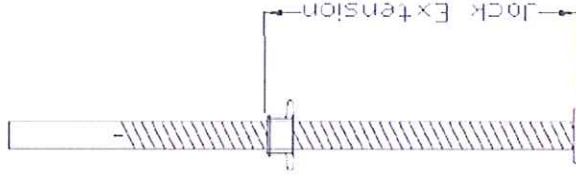


This chart must be used with the Titan Leg Load Chart.

Shores must be plumb.

Consult safety rules as published by the Scaffold, Shoring and Forming Institute, and ACI 347-04, "Guide To Formwork For Concrete".

This chart is based on a 2 1/2 : 1 Safety Factor.



ADVANCE
SHORING COMPANY

SCREW JACK EXTENSION (inches)

1400 Jackson Street, Saint Paul, MN 55117 (651)489-8881